

SALES & ENGINEERING DATA

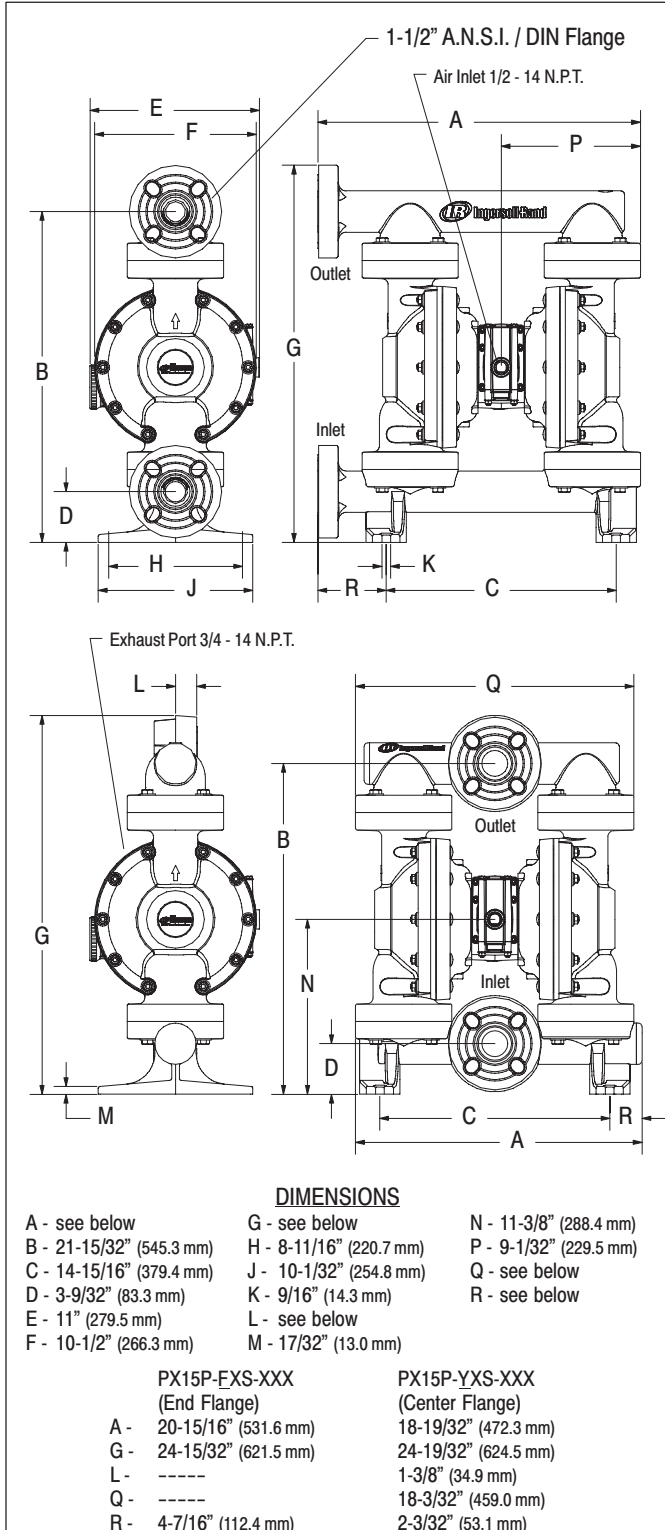
RATIO SERIES: **1:1**

PD15P-XXS-XXX and PE15P-XXS-XXX 1-1/2" NON-METALLIC DIAPHRAGM PUMP

FLUID P.S.I. RANGE: **20 - 120**

RELEASED: 9-5-03
REVISED: 6-9-10
(REV. 05) S-1280

DIMENSIONAL DATA



SPECIFICATIONS

CONSTRUCTION

| | |
|----------------------------------|--|
| Model Series | PD15P-XXS-XXX PE15P-XXS-XXX |
| Pump Type | Non-Metallic, Air Operated, Double Diaphragm |
| Ratio | 1:1 |
| Material Inlet / Outlet (female) | 1-1/2" A.N.S.I. / DIN Flange |
| Air Inlet (female) | 1/2 - 14 N.P.T. |
| Air Exhaust (female) | 3/4 - 14 N.P.T. |
| Weight | PX15P-FKS-XXX 63.94 lbs (29.00 kgs) PX15P-FPS-XXX 42.60 lbs (19.32 kgs) PX15P-YKS-XXX 55.94 lbs (25.37 kgs) PX15P-YPS-XXX 42.30 lbs (19.19 kgs) |
| Air Section Service Kit | 637389 |
| Major Air Valve Assembly | |
| PD15P-XXS-XXX | 637390-1 |
| PE15P-XXS-XXX | 637390-2 |
| Fluid Section Service Kit | 637391-XX |

PX15P-XXS-X
637391 -

Diaphragm Material
 Ball Material

EXAMPLE: Model # PD15P-FPS-PAA
 Fluid Section Service Kit is 637391-AA

PERFORMANCE

| | |
|---|---------------------------------|
| Air Inlet Pressure Range | 20 - 120 p.s.i. (1.4 - 8.3 bar) |
| Maximum Material Inlet Pressure | 10 p.s.i. (0.69 bar) |
| Fluid Pressure Range | 20 - 120 p.s.i. (1.4 - 8.3 bar) |
| Maximum Flow Rate (flooded inlet) | 123.1 g.p.m. (465.9 l.p.m.) |
| Displacement / Cycle @ 100 p.s.i. | 0.617 gal. (2.34 lit.) |
| Maximum Particle Size | 1/4" dia. (6.4 mm) |
| Maximum Temperature Limits (diaphragm / ball / seal material) | |
| E.P.R. / EPDM | -60° to 280° F (-51° to 138° C) |
| Hytrel | -20° to 150° F (-29° to 66° C) |
| Nitrile | 10° to 180° F (-12° to 82° C) |
| Polypropylene | 35° to 150° F (2° to 66° C) |
| P.V.D.F. (Kynar) | 10° to 200° F (-12° to 93° C) |
| Santoprene | -40° to 225° F (-40° to 107° C) |
| PTFE | 40° to 225° F (4° to 107° C) |
| Viton | -40° to 350° F (-40° to 177° C) |
| Noise Level @ 70 p.s.i. - 60 c.p.m. | 81.0 db(A)① |

① The pump sound pressure level has been updated to an Equivalent Continuous Sound Level (L_{Aeq}) to meet the intent of ANSI S1.13-1971, CAGI-PNEUROPS S5.1 using four microphone locations.

PERFORMANCE CURVES

PX15P-XXS-XXX 1-1/2" NON-METALLIC DIAPHRAGM PUMP

